

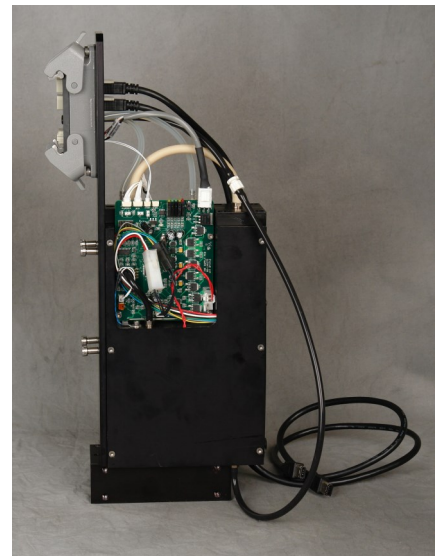
12000 Ink Supply

Description

The PPSI 12000 ink supply is a compact, modular ink supply design to supply inkjet compatible fluids at proper temperature and pressure to one or two inkjet print heads. The ink supply is unique in its design, providing ink recirculation through the input and output ports of the Xaar 1001 print head. The internal pump/ motor assembly provides self regulating fluid circulation without vibration or pulsation and minimizes shearing of ink. Each ink supply is complemented by a support module (separate data sheet available) which provides the necessary functions for the control and filling of the ink supply. For multi-color applications, one ink supply is required for each primary ink color.

Key Features/ Benefits

- Designed for recirculating type print heads
- Small form factor, highly modular format
- High reliability- few moving parts
- Continuous filtering of recirculating ink when system is powered up
- Regulates fluid temperature, pressure and levels
- Proximity to printhead minimized heat loss through tubing
- User replaceable components
- Accurate temperature control to 65C, supports high temperature phase change inks
- Compatible with all materials jettable by the Xaar-1001
- Integrated custom magnetically coupled pump with no moving seals (50,000 hour pump MTBF)
- Easy mounting and quick disconnect for external connections



PROTOTYPE AND PRODUCTION SYSTEMS, INC.

13860 Industrial Park Blvd, Plymouth, MN. USA 55441 763-557-9348

www.prototypesys.com

12000 Ink Supply

Specifications

Size: (?)

Weight: (?)

Fluid compatibility:

- UV cure inkjet inks
- Non-aqueous fluids

Capacity:

- Reservoir 400 ml
- Weir 100 ml

Connections:

Top side:

- Power
- Communications
- Vacuum port
- Vent port

Bottom side:

- Fill-drain port
- Print head input port
- Print head output port

Key components

- Pump/ motor assembly
- Ink Supply control board
- 5 micron filter

Requirements

Support module (00-xxxxxx) interfaces to the ink supply to provide power, control communications, vacuum and fill-drain functions

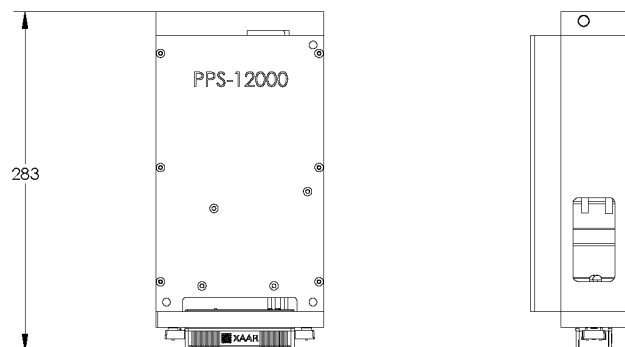
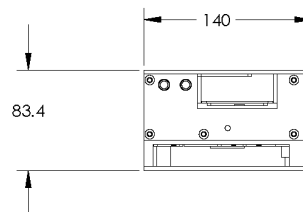
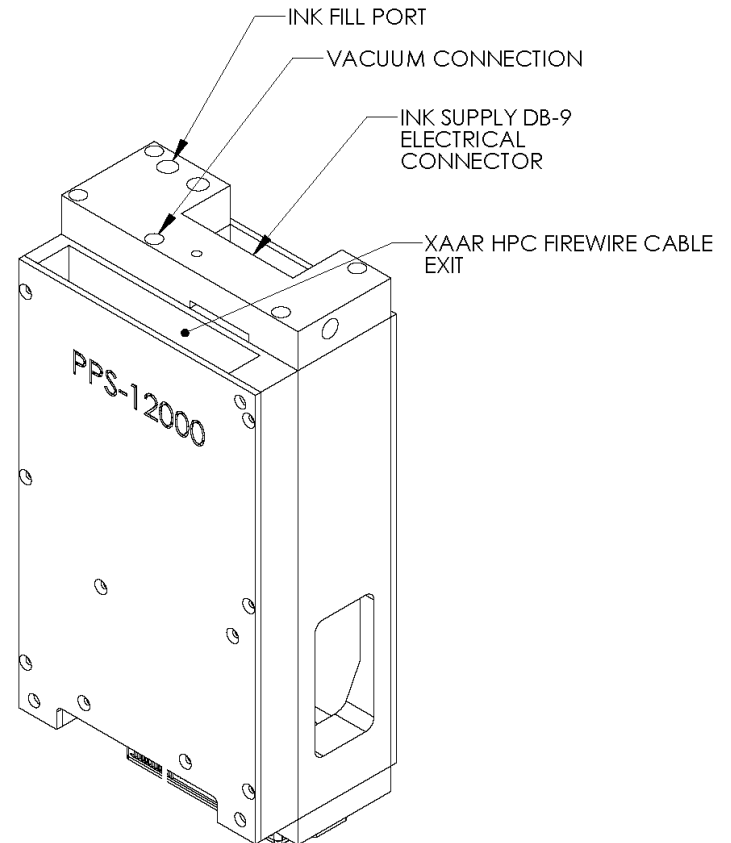
Xaar 1001 print head (00-xxxxxx) print heads interface to the input and output ports of the ink supply for jetting fluids.

Ink supply control software (00-xxxxxx) provides user interface to monitor and control ink supply settings, status and functions.

Order info

PPSI part number: 00-xxxxx

Description: 12000 Small Ink Supply, Xaar 1001 compatible



PROTOTYPE AND PRODUCTION SYSTEMS, INC.

13860 Industrial Park Blvd, Plymouth, MN. USA 55441 763-557-9348

www.prototypesys.com