

PPSI-12000

Self-contained printhead based upon the Xaar-1001 piezoelectric inkjet printhead



- Integrated Printhead and Ink Supply
- Xaar-1001 Printhead
- Integrated Xaar Head Personality Card (HPC) Drive Electronics
- Integrated 400mL ink reservoir, smaller reservoir available
- Integrated ink supply electronic controls
- Accurate temp control to 65C, supports high temp phase change inks
- Compatible with all materials jet-able by the Xaar-1001
- 3 material choices, Delrin (plastic), Stainless Steel, Hardcoated Aluminum (aluminum oxide)
- Continuous filtering of recirculating ink when system is powered up
- Integrated custom magnetically coupled pump with no moving seals (50000 hour pump MTBF)
- Supports registration of multiple ink-jet arrays without time consuming tuning of individual array position (via the unique Xaar-1001 mounting system)
- Only 4 external connections
 - ⇒ 24VDC
 - ⇒ Firewire Cable to XUSB Controller
 - ⇒ Vacuum Tube
 - ⇒ RS485 Cable to PC (optional)

The PPSI-12000 provides an easy path to quick implementation of the Xaar-1001 onto a wide variety of applications. A single integrated printhead and ink supply can be applied to monochrome applications. Multiple integrated ink supplies and printheads can be easily mounted in the multi-array carrier for quick and accurate color capability.



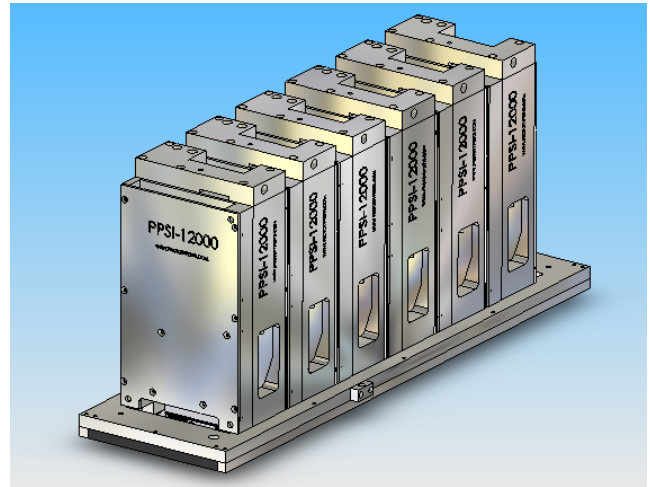
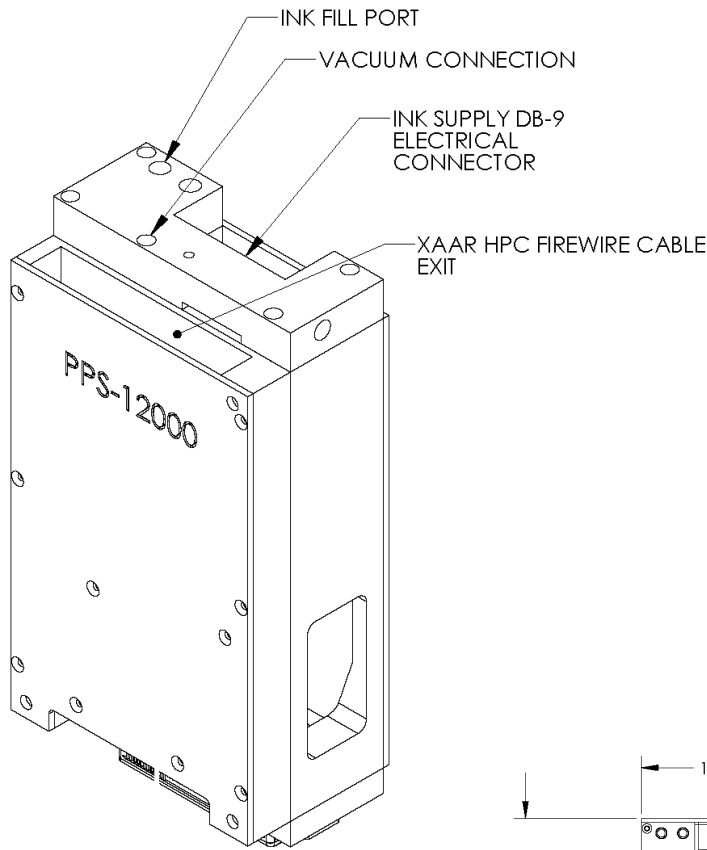
PROTOTYPE AND PRODUCTION SYSTEMS INC.

13000 Hwy 55 Plymouth, MN. USA 55441 763-557-9348

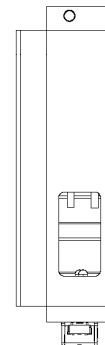
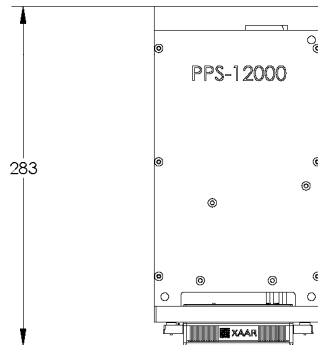
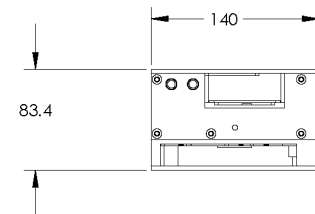
www.prototypesys.com

PPSI-12000

Modular printing solution based upon the Xaar-1001 piezoelectric inkjet printhead



Example 6 Color Configuration with Multi-head Alignment Carrier



The PPSI-12000 provides an integrated ink supply with control for the Xaar-1001 Printhead. The integrated ink supply communicates to the host PC thru an optional RS485 connection. Image data drives the printhead thru the Xaar HPC card mounted in the ink supply block and a high speed serial connection to the Xaar XUSB controller.



PROTOTYPE AND PRODUCTION SYSTEMS INC.

13000 Hwy 55 Plymouth, MN. USA 55441 763-557-9348

www.prototype.com

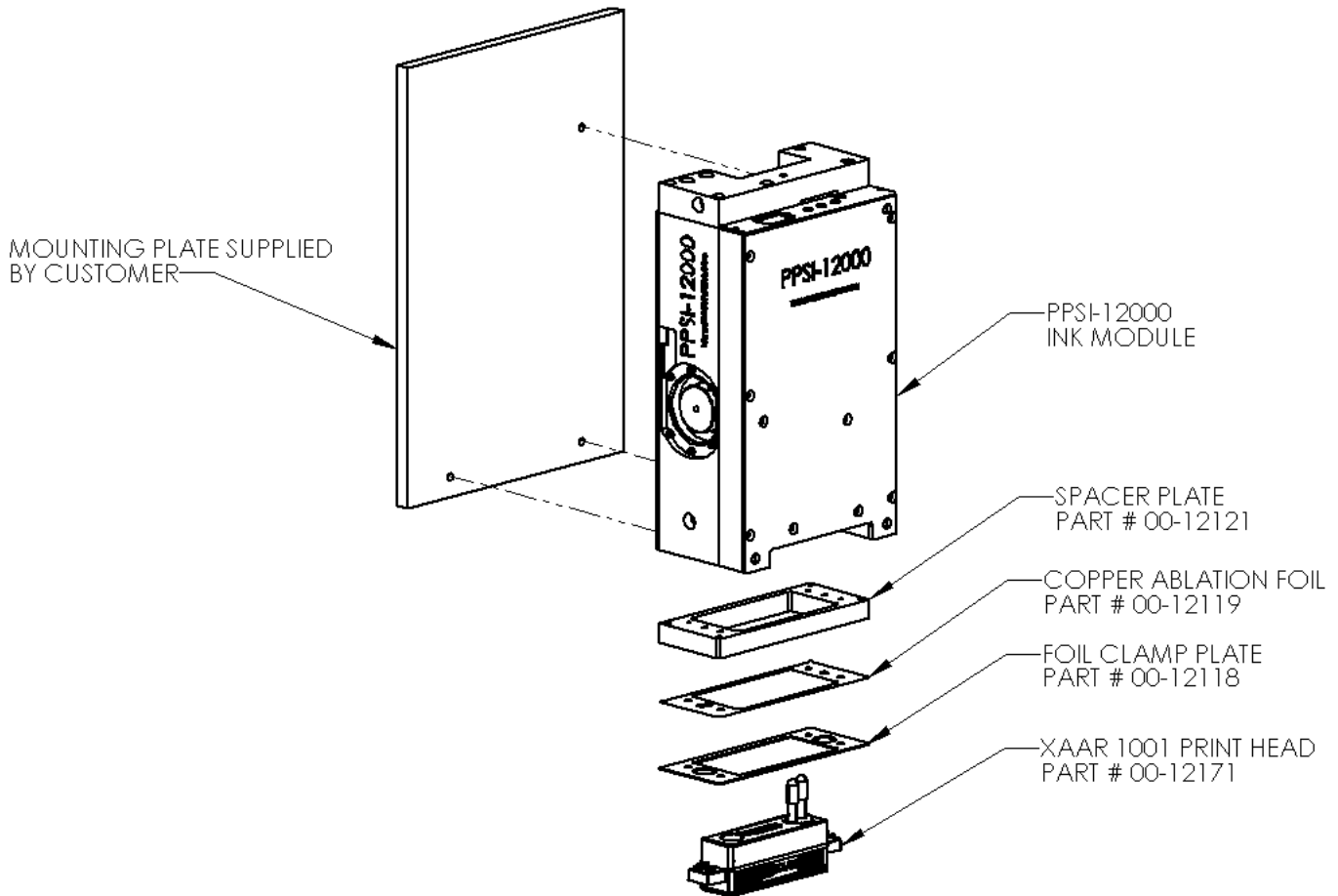
PPSI-12000

Modular printing solution based upon the Xaar-1001 piezoelectric inkjet printhead

Mounting Accessory Options

Single Head Back Mount. The PPSI-12000 can be mounted on its back side as shown below. This mounting arrangement is useful for simple applications where precise head to head registration and head to machine registration is not required. This is not the preferred mounting method

SINGLE HEAD BACK MOUNTING SYSTEM



PROTOTYPE AND PRODUCTION SYSTEMS INC.

13000 Hwy 55 Plymouth, MN. USA 55441 763-557-9348

www.prototypesys.com

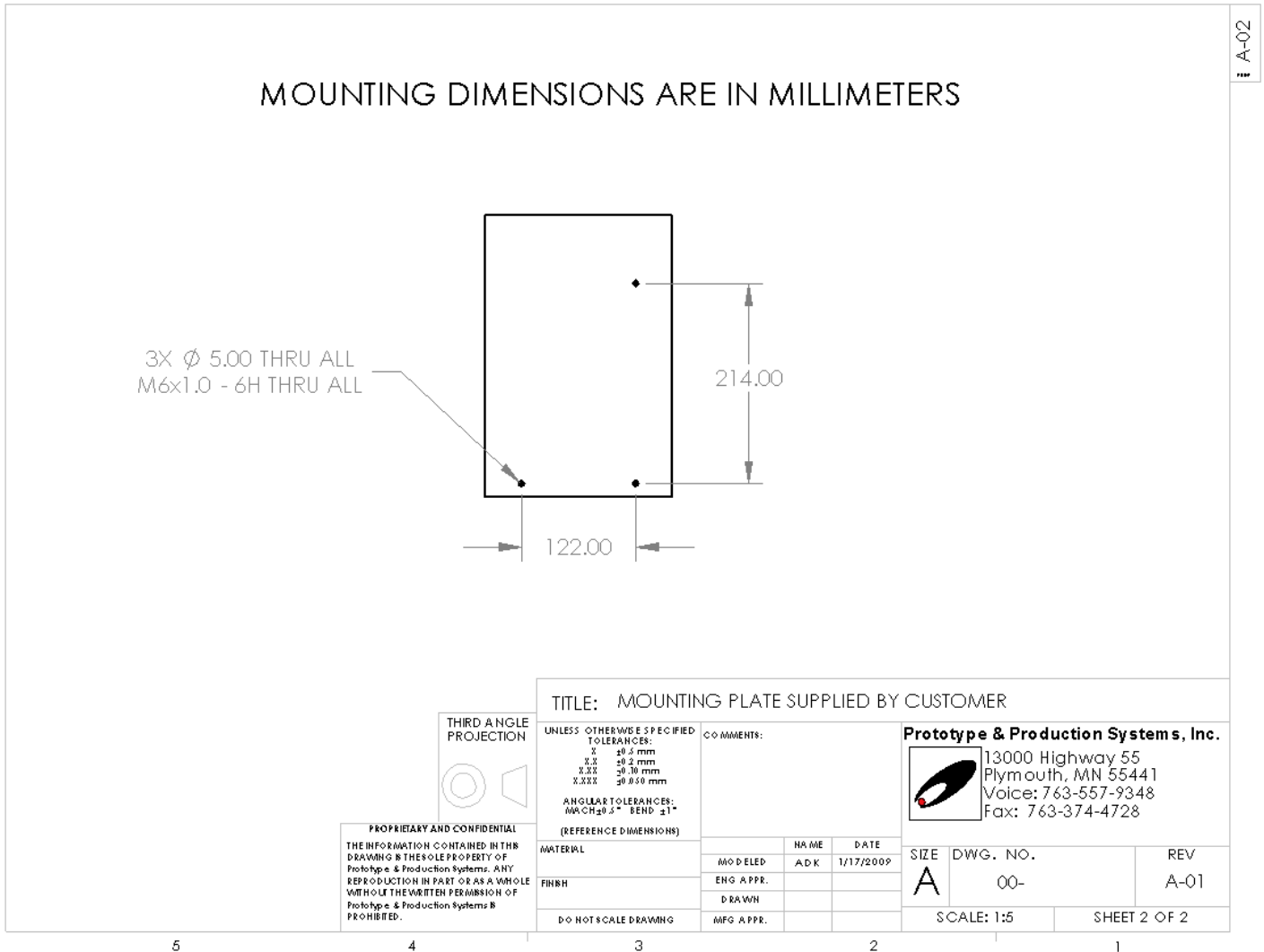
PPSI-12000

Modular printing solution based upon the Xaar-1001 piezoelectric inkjet printhead

Mounting Accessory Options

Single Head Back Mount — Mounting Pattern.

The following is the mounting pattern for customer equipment. This component is not supplied by PPSI.



PROTOTYPE AND PRODUCTION SYSTEMS INC.

13000 Hwy 55 Plymouth, MN. USA 55441 763-557-9348

www.prototype.com

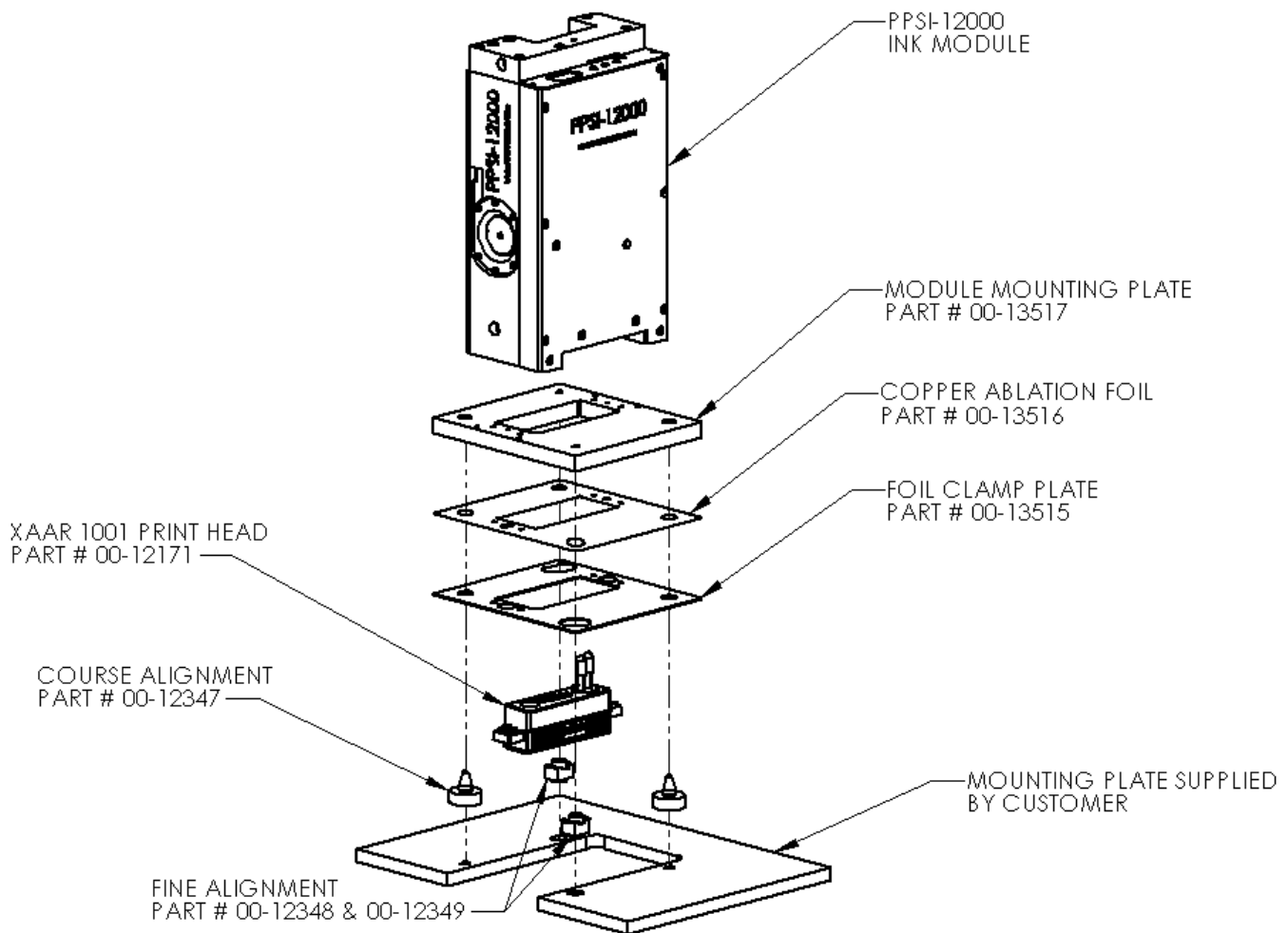
PPSI-12000

Modular printing solution based upon the Xaar-1001 piezoelectric inkjet printhead

Mounting Accessory Options

Single Head Bottom Mount. The PPSI-12000 can be mounted on its lower side as shown below. This is the preferred mounting arrangement. It allows accurate mechanical registration between the printhead and the customer supplied mounting surface.

SINGLE HEAD BOTTOM MOUNTING SYSTEM



PROTOTYPE AND PRODUCTION SYSTEMS INC.

13000 Hwy 55 Plymouth, MN. USA 55441 763-557-9348

www.prototype.com

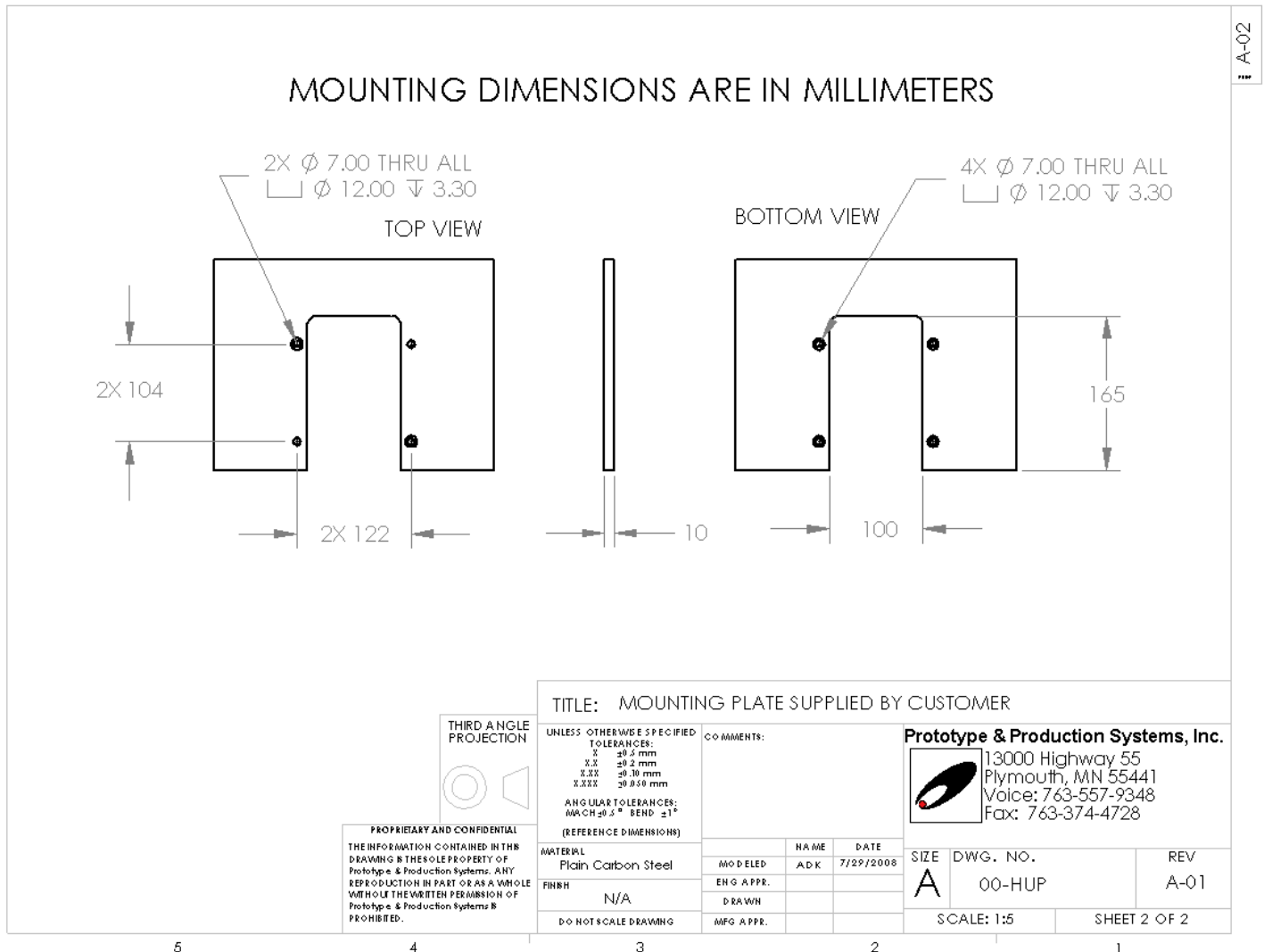
PPSI-12000

Modular printing solution based upon the Xaar-1001 piezoelectric inkjet printhead

Mounting Accessory Options

Single Head Bottom Mount—Mounting Pattern

The following is the mounting pattern for customer equipment. This component is not supplied by PPSI



A-02



PROTOTYPE AND PRODUCTION SYSTEMS INC.

13000 Hwy 55 Plymouth, MN. USA 55441 763-557-9348

www.prototype.com

PPSI-12000

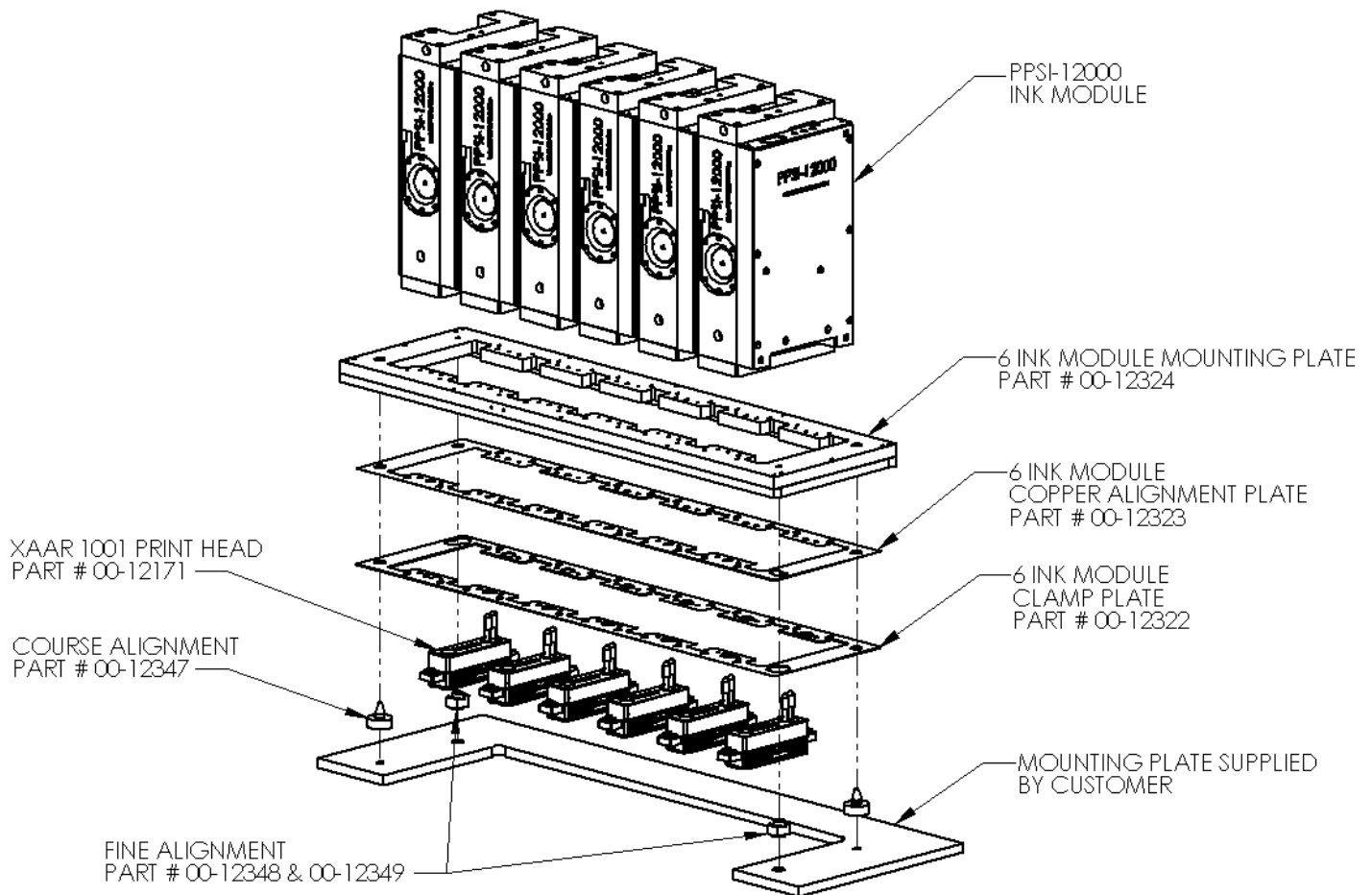
Modular printing solution based upon the Xaar-1001 piezoelectric inkjet printhead

Mounting Accessory Options

Six Head Bottom Mount.

6 Xaar 1001 printheads with 6 different PPSI-12000 ink supplies can be mounted as shown below. This is the preferred mounting arrangement. It allows accurate mechanical registration of all 6 printhead to each other. The angular alignment of the 6 head array to the customer machine is accomplished by rotation of the eccentric fine alignment pins.

6 HEAD MOUNTING SYSTEM



PROTOTYPE AND PRODUCTION SYSTEMS INC.

13000 Hwy 55 Plymouth, MN. USA 55441 763-557-9348

www.prototype.com

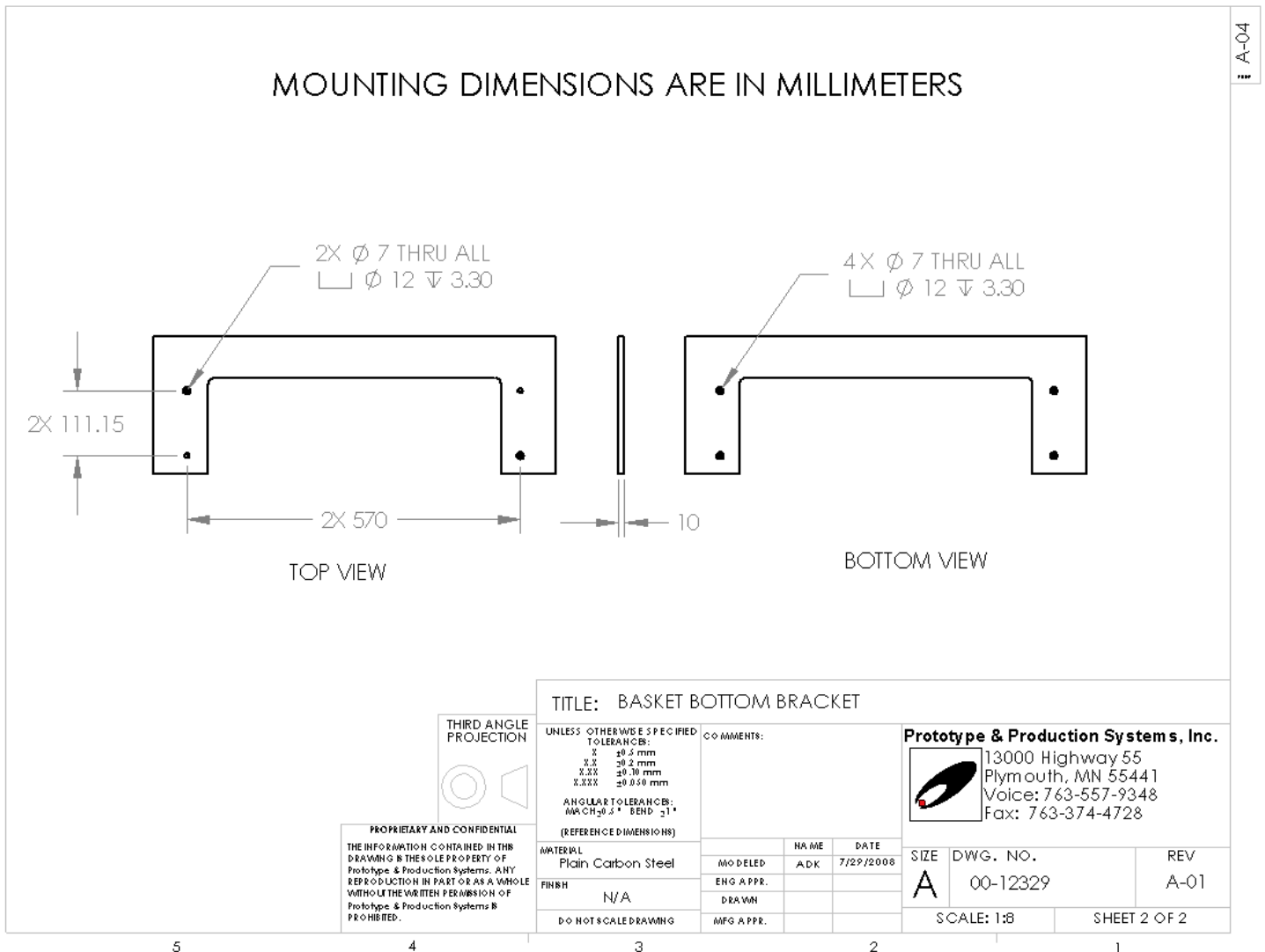
PPSI-12000

Modular printing solution based upon the Xaar-1001 piezoelectric inkjet printhead

Mounting Accessory Options

Six Head Bottom Mount—Mounting Pattern

The following is the mounting pattern for the customer equipment. This component is not supplied by PPSI



PROTOTYPE AND PRODUCTION SYSTEMS INC.

13000 Hwy 55 Plymouth, MN. USA 55441 763-557-9348

www.prototype.com

PPSI-12000

Modular printing solution based upon the
Xaar-1001 piezoelectric inkjet printhead

Configuration/ Ordering Information

<u>Part Number</u>	<u>Description</u>	<u>Price (USD)</u>
00-12000	Ink Module (includes pump, heater & controls)	\$9600
00-12121	Spacer Plate	\$360
00-12119	Copper Alignment Plate, 1 Head, Back Mount	\$240
00-12118	Clamp Plate, 1 Head, Back Mount	\$240
00-12171	Xaar 1001 Printhead	\$5400
00-13517	Module Mount Plate, 1 Head	\$780
00-13516	Copper Alignment Plate, 1 Head, Bottom Mount	\$780
00-13515	Clamp Plate, 1 Head, Bottom Mount	\$420
00-12347	Course Alignment Post	\$120
00-12349	Fine Alignment Post, Eccentric Fine Adjust	\$240
00-13520	Module Mount Plate, 4 Head	\$1140
00-13521	Copper Alignment Plate, 4 Head	\$1200
00-13522	Clamp Plate, 4 Head	\$540
00-12324	Module Mount Plate, 6 Head	\$1380
00-12323	Copper Alignment Plate, 6 Head	\$1440
00-12322	Clamp Plate, 6 Head	\$612
00-12820	Module Mount Plate, 8 Head	\$2160
00-12816	Copper Alignment Plate, 8 Head,	\$2040
00-12822	Clamp Plate, 8 Head	\$1140
00-13524	Vacuum Supply, 1 Head	inquire
00-13528	Vacuum Supply, 8 Head, (Drive up to 8 ink supplies)	inquire
00-13525	Operation and Service Manual for PPSI-12000 (on line free)	\$240

Except for a limited number of emergency replacement spares all components are built to order. Delivery typically 4 weeks upon receipt of down payment, confirm delivery at order placement.

Terms: 50% downpayment, 50% prior to shipment,



PROTOTYPE AND PRODUCTION SYSTEMS INC.

13000 Hwy 55 Plymouth, MN. USA 55441 763-557-9348

www.prototypesys.com

PPSI-12000

Modular printing solution based upon the
Xaar-1001 piezoelectric inkjet printhead

Typical Configurations

<u>Part Number</u>	<u>Description</u>	<u>Quantity</u>
--------------------	--------------------	-----------------

Back Mount Single Printhead System (as shown on page 3)

00-12000	Ink Module (includes pump, heater, controls)	1
00-12121	Spacer Plate	1
00-12119	Copper Alignment Plate, 1 Head, Back Mount	1
00-12118	Clamp Plate, 1 Head, Back Mount	1
00-12171	Xaar 1001 Printhead	1
00-XXXXX	Xaar HPC for Xaar 1001	1

Bottom Mount Single Printhead System (as shown on page 5)

00-12000	Ink Module (includes pump, heater, controls)	1
00-13517	Module Mount Plate, 1 Head	1
00-13516	Copper Alignment Plate, 1 Head, Bottom Mount	1
00-13515	Clamp Plate, 1 Head, Bottom Mount	1
00-12347	Course Alignment Post	2
00-12349	Fine Alignment Post, Eccentric Fine Adjust	2
00-12171	Xaar 1001 Printhead	1
00-XXXXX	Xaar HPC for Xaar 1001	1

Bottom Mount 4 Printhead 4 Fluid System

00-12000	Ink Module (includes pump, heater, controls)	4
00-13520	Module Mount Plate, 4 Head	1
00-13521	Copper Alignment Plate, 4 Head	1
00-13522	Clamp Plate, 4 Head	1
00-12347	Course Alignment Post	2
00-12349	Fine Alignment Post, Eccentric Fine Adjust	2
00-12171	Xaar 1001 Printhead	4
00-XXXXX	Xaar HPC for Xaar 1001	4



PROTOTYPE AND PRODUCTION SYSTEMS INC.

13000 Hwy 55 Plymouth, MN. USA 55441 763-557-9348

www.prototype.com

PPSI-12000

Modular printing solution based upon the
Xaar-1001 piezoelectric inkjet printhead

Typical Configurations

<u>Part Number</u>	<u>Description</u>	<u>Quantity</u>
--------------------	--------------------	-----------------

Bottom Mount 6 Printhead, 6 Fluid System (as shown on page 7)

00-12000	Ink Module (includes pump, heater, controls)	6
00-12324	Module Mount Plate, 6 Head	1
00-12323	Copper Alignment Plate, 6 Head	1
00-12322	Clamp Plate, 6 Head	1
00-12347	Course Alignment Post	2
00-12349	Fine Alignment Post, Eccentric Fine Adjust	2
00-12171	Xaar 1001 Printhead	6
00-XXXXX	Xaar HPC for Xaar 1001	6

Bottom Mount 8 Printhead, 8 Fluid System

00-12000	Ink Module (includes pump, heater, controls)	8
00-12820	Module Mount Plate, 8 Head	1
00-12816	Copper Alignment Plate, 8 Head	1
00-12822	Clamp Plate, 8 Head	1
00-12347	Course Alignment Post	2
00-12349	Fine Alignment Post, Eccentric Fine Adjust	2
00-12171	Xaar 1001 Printhead	8
00-XXXXX	Xaar HPC for Xaar 1001	8

Other Accessories Available

00-13524	Vacuum Supply, 1 Head
00-13528	Vacuum Supply, 8 Head, (Drive up to 8 ink supplies)



PROTOTYPE AND PRODUCTION SYSTEMS INC.

13000 Hwy 55 Plymouth, MN. USA 55441 763-557-9348

www.prototype.com